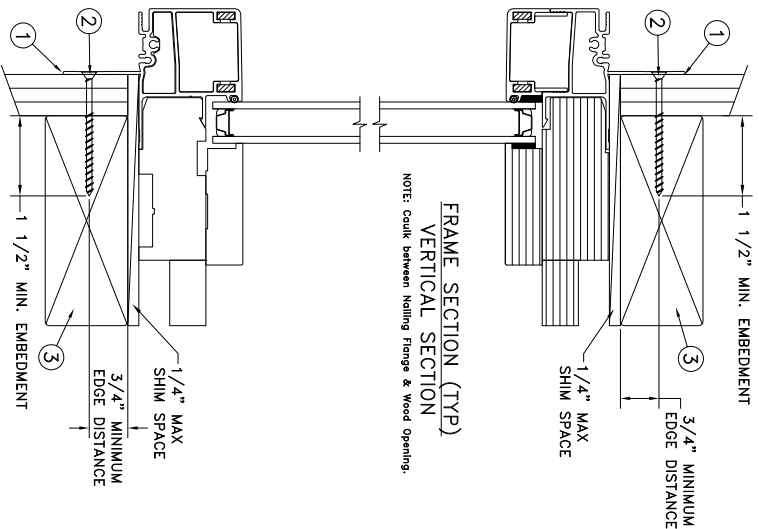
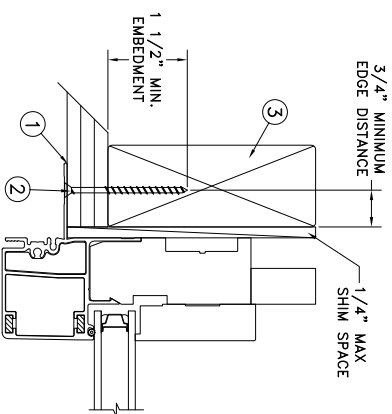


TYPICAL ELEVATION WITH FASTENER SPACING



FRAME SECTION (TYP)
VERTICAL SECTION
NOTE: Caulk between Nailing Flange & Wood Opening.



FRAME JAMB SECTION (TYP)
HORIZONTAL SECTION
NOTE: Caulk between Nailing Flange & Wood Opening.

NAILPIN INSTALLATION

Max Frame	DP	IMPACT
120 x 84	+50/-55	NO

Installation Notes:

1. Seal flange/frame to substrate.
2. Use #8 PH or greater fastener through the nailfin on all sides with sufficient length to penetrate a minimum of 1 1/2" into the wood framing. For 2x wood frame substrate (min. S.G. = 0.42)
3. Host structure (wood buck, masonry, steel) to be designed and anchored to properly transfer all loads to the structure. The host structure is the responsibility of the architect or engineer of record for the project of installation.

General Notes:

1. The product shown herein is designed, tested and manufactured to comply with the wind load criteria of the adopted International Building Code (IBC), the International Residential Code (IRC), the Florida Building Code (FBC) and the Industry requirement for the stated conditions.
2. All glazing shall conform to ASTM E1300.
3. At minimum, glazing shall be double strength annealed insulating glass.
4. Use structural or composite shims where required.

This schedule addresses only the fasteners required to anchor the window to achieve the rated design pressure and impact performance (where applicable) up to the size limitations noted. It is not intended as a guide to the installation process and does not address the sealing consideration that may arise in different wall conditions. For the complete installation procedure, see the instructions packaged with the window or go to www.jeld-wen.com/resources/installation.

DISCLAIMER:

This drawing and its contents are confidential and are not to be reproduced or copied in whole or in part or used or disclosed to others except as authorized by JELD-WEN Inc.

PROJECT ENGINEER:	
DRAWN BY:	J.HAWKINS
CHECKED BY:	K.CAMPBELL
APPROVED BY:	D.STOKES
PART/PROJECT No.:	D014146
IDENTIFIER No.:	-

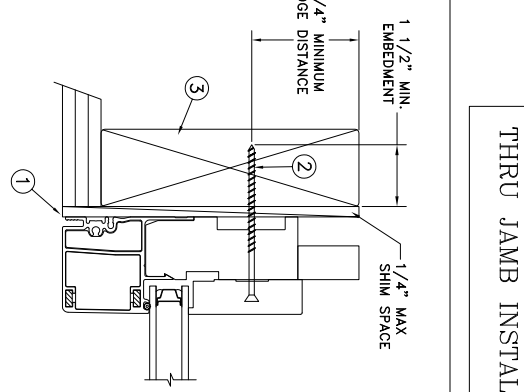
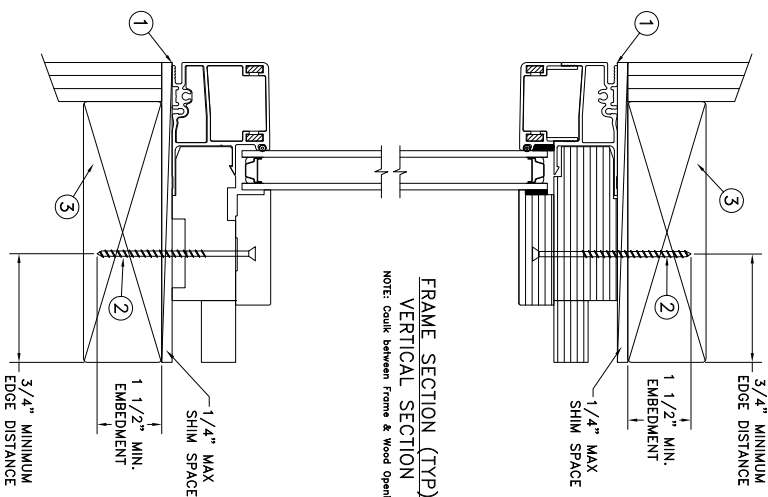
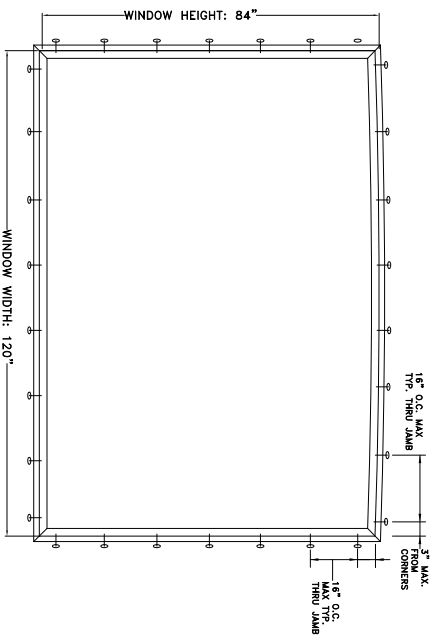
DATE:	11/11/2016
SCALE:	NTS
TITLE:	

3737 LAKEPORT BLVD.
KIAMATH FALLS OR, 97601
PHONE: (800) 535-3936

JELD-WEN

EpicVue Clad Direct Set Radius Window

PLANT NAME AND LOCATION:	CAD DWG. No.:	REV:	SHEET
Bend-OR	EpicVueCLDset Cdf	A	



FRAME JAMB SECTION (TYP)
HORIZONTAL SECTION
NOTE: Caulk between Frame & Wood Opening.

Max Frame	DP	IMPACT
120 X 84	+50/-55	NO

Installation Notes:

1. Seal flange/frame to substrate.
2. Use #8 PH or greater fastener through the frame with sufficient length to penetrate a minimum of 1 1/2" into the wood framing. For 2x wood frame substrate (min. S.G. = 0.42)
3. Host structure (wood buck, masonry, steel) to be designed and anchored to properly transfer all loads to the structure. The host structure is the responsibility of the architect or engineer of record for the project of installation.

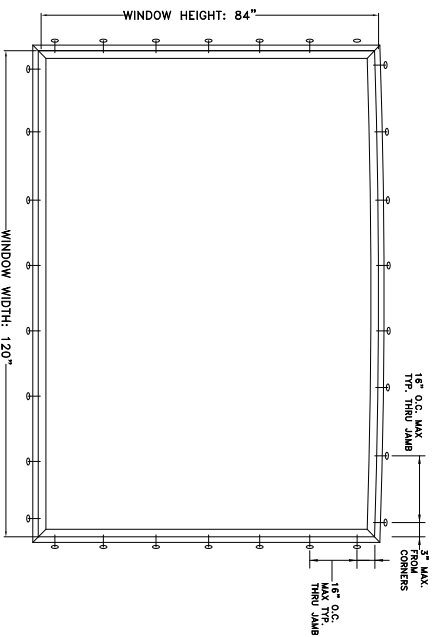
General Notes:

1. The product shown herein is designed, tested and manufactured to comply with the wind load criteria of the adopted International Building Code (IBC), the International Residential Code (IRC), the Florida Building Code (FBC) and the industry requirement for the stated conditions.
2. All glazing shall conform to ASTM E1300.
3. At minimum, glazing shall be double strength annealed insulating glass.
4. Use structural or composite shims where required.

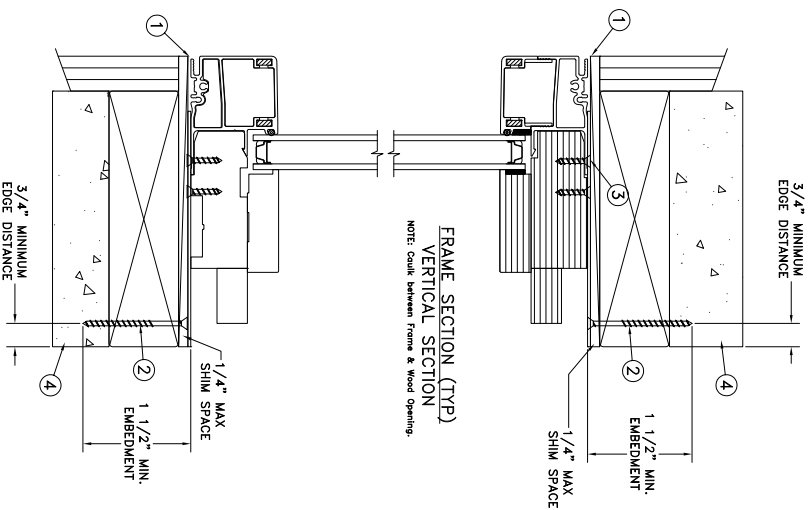
This schedule addresses only the fasteners required to anchor the window to achieve the rated design pressure and impact performance (where applicable) up to the size limitations noted. It is not intended as a guide to the installation process and does not address the sealing consideration that may arise in different wall conditions. For the complete installation procedure, see the instructions packaged with the window or go to www.jeld-wen.com/resources/installation.

DISCLAIMER:
This drawing and its contents are confidential and are not to be reproduced or copied in whole or in part or used or disclosed to others except as authorized by JELD-WEN Inc.

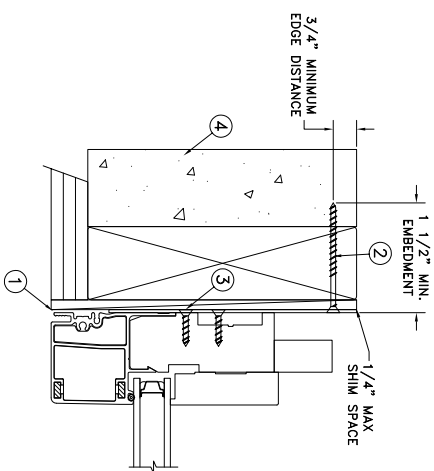
PROJECT ENGINEER:	DATE:	11/11/2016
DRAWN BY:	SCALE:	NTS
J.HAWKINS	TITLE:	EpicVue Clad Direct Set Radius Window
CHECKED BY:	<p style="text-align: center;">JELD-WEN KIAMATH FALLS OR, 97601 PHONE: (800) 535-3936</p>	
K.CAMPBELL		
APPROVED BY:		
D.STOKES		
PART/PROJECT No.:	PLANT NAME AND LOCATION:	CAD DWG. No.:
D014146	Bend-OR	EpicVueCLDset Ccft
IDENTIFIER No.:		REV: A
-		SHEET



TYPICAL ELEVATION WITH FASTENER SPACING



FRAME SECTION (TYP)
VERTICAL SECTION
NOTE: Caulk between Frame & Wood Opening.



FRAME JAMB SECTION (TYP)
HORIZONTAL SECTION
NOTE: Caulk between Frame & Wood Opening.

MASONRY INSTALLATION

Max Frame	DP	IMPACT
120 X 84	+50/-55	NO

Installation Notes:

1. Seal flange/frame to substrate.
2. Use #8 PFH or larger fasteners through masonry strap with sufficient length to penetrate a minimum of 1 1/2" into the masonry or buck... For concrete (min. f_c = 3000 psi) or masonry substrate (CMU shall adhere to ASTM C90).
3. Use #8 PFH or larger fasteners through masonry strap into jamb without penetrating through the jamb into product causing visability or collateral damage to product.
4. Host structure (wood buck, masonry, steel) to be designed and anchored to properly transfer all loads to the structure. The host structure is the responsibility of the architect or engineer of record for the project of installation.

General Notes:

1. The product shown herein is designed, tested and manufactured to comply with the wind load criteria of the adopted International Building Code (IBC), the International Residential Code (IRC), the Florida Building Code (FBC) and the industry requirement for the stated conditions.
2. All glazing shall conform to ASTM E1300.
3. At minimum, glazing shall be double strength annealed insulating glass.
4. Use structural or composite shims where required.

This schedule addresses only the fasteners required to anchor the window to achieve the rated design pressure and impact performance (where applicable) up to the size limitations noted. It is not intended as a guide to the installation process and does not address the sealing consideration that may arise in different wall conditions. For the complete installation procedure, see the instructions packaged with the window or go to www.jeld-wen.com/resources/installation.

DISCLAIMER:

This drawing and its contents are confidential and are not to be reproduced or copied in whole or in part or used or disclosed to others except as authorized by JELD-WEN Inc.

PROJECT ENGINEER:	DATE:
DRAWN BY:	SCALE:
CHECKED BY:	TITLE:
APPROVED BY:	
PART/PROJECT No.:	
IDENTIFIER No.:	

PROJECT ENGINEER:	DATE:
DRAWN BY:	SCALE:
CHECKED BY:	TITLE:
APPROVED BY:	
PART/PROJECT No.:	
IDENTIFIER No.:	

PLANT NAME AND LOCATION:	CAD DWG. No.:	REV:	SHEET
Bend-OR	EpicVue/CLDset C01	A	

JELD-WEN

3737 LAKEPORT BLVD.
KIAMATH FALLS OR, 97601
PHONE: (800) 535-3936

EpicVue Clad Direct Set Radius Window